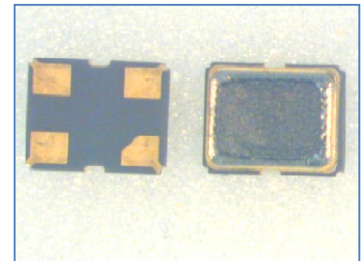


## CMOS 2520 SPXO

## SP250 Series

### ◆特長・用途/Feature

- ・SMD Package
- ・Supply Voltage      **+3.3V, +2.5V, +1.8V**
- ・Output Level         **CMOS**
- ・Frequency range    **1MHz ~ 50MHz**

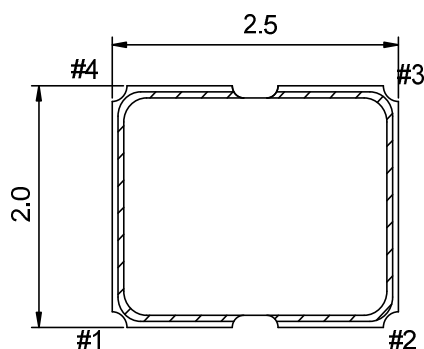


### ◆仕様/Specifications

RoHS Compliant

項目 / item	Min	Max	単位 / unit	Note
電源電圧 Power Supply voltage	+3.3, +2.5, +1.8		V	--
出力周波数 Frequency range	1	50	MHz	--
周波数安定度 Freq. Overall tolerance	±20, ±25, ±50		10 <sup>-6</sup>	-10~+60°C
	±25, ±50		10 <sup>-6</sup>	-20~+70°C
	±25, ±50		10 <sup>-6</sup>	-40~+85°C

### ◆外形寸法/Dimensions unit : mm



PAD	FUNCTION
#1	Tri-State
#2	GND
#3	Output
#4	VDD